

TH627

Telehandler



**WACKER
NEUSON**
all it takes!



Maneuverable and effective

When it comes to stacking heights of around 6 meters, the telehandler TH627 is the optimum solution. It combines powerful performance with a high level of mobility, remaining stable even in extreme loading processes.

- Lift height of 5.79 m in combination with a payload of 2.7 t
- Exhaust emissions stage V thanks to modern engine technology
- 3 types of steering as standard so you can maneuver ideally in every situation: All-wheel steering, front wheel steering and crab steering
- Comfortable to operate thanks to the load-independent flow distribution of the hydraulics and electronically controlled joystick
- Practical automatic bucket return for even faster work (available as an option)

TH627 Technical specifications

Operating data

| | |
|----------------------------|----------|
| Lift height max. | 5,790 mm |
| Weight | 5,000 kg |
| Turning radius (via tires) | 3,670 mm |

Engine / Motor

| | |
|--|-----------------------|
| Engine / Motor manufacturer | Kohler |
| Engine / Motor type | KDI 2504 TCR |
| Engine performance | 55.4 kW |
| Displacement | 2,482 cm ³ |
| Emission standards stage | V |
| Exhaust aftertreatment system | DOC + DPF |
| Sound emission (at the operator's ear) | 72 dB(A) |

Power transmission

| | |
|----------------------|-------------------------------|
| Traction drive | hydrostatic |
| Speed (standard) | 0 - 20 km/h |
| Speed (optional) | 0 - 30 km/h |
| Speed Level | 3 |
| Axles | Planetary-steering drive axle |
| Total pivoting angle | 20 ° |
| Differential lock | 100% VA connectable |
| Service brake | Disc brake |
| Standard tires | 12.5-18 |

Steering and operating hydraulics

| | |
|----------------|-----------|
| Steering angle | 2x38 ° |
| Duty pump | Gear pump |
| Flow rate max. | 89 l/min |
| Pressure max. | 260 bar |

Kinematics

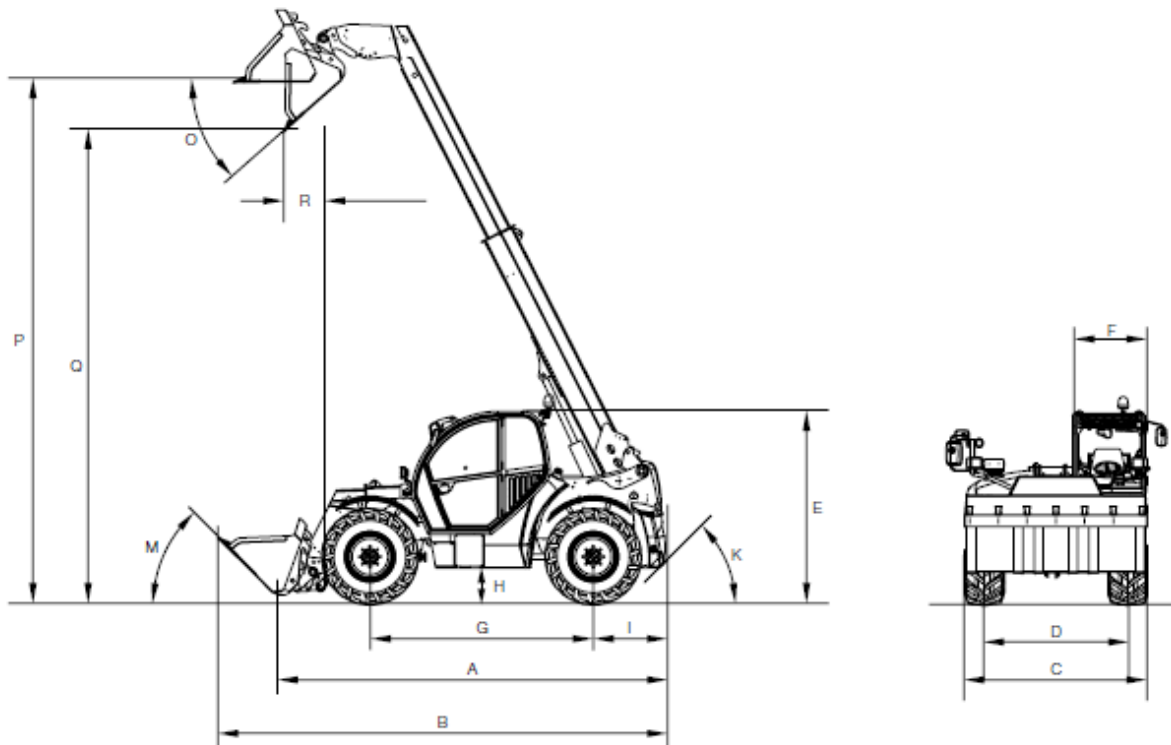
| | |
|---------------------------------|---------------------|
| Bucket capacity | 0.85 m ³ |
| Total rotation angle | 132 ° |
| Payload max. | 2,700 kg |
| Payload at max. stacking height | 1,800 kg |
| Payload at max. reach | 1,000 kg |
| Range max. | 3,156 mm |

Filling capacities

| | |
|--------------------|-------|
| Fuel tank capacity | 95 l |
| Hydraulic oil tank | 100 l |

The data specified are the data for the standard equipment. Specifications may vary if selecting other options. All information without guarantee.

TH627 Dimensions



| | | |
|---|--|----------|
| A | Length total | 4,400 mm |
| B | Length total with standard bucket | 5,000 mm |
| C | Width with standard tires | 1,960 mm |
| D | Track width | 1,650 mm |
| E | Height up to the cabin roof | 1,985 mm |
| F | Width Cabin | 825 mm |
| G | Wheelbase | 2,650 mm |
| H | Ground clearance | 300 mm |
| I | Center of rear axle to end of vehicle | 620 mm |
| K | Rear actuation angle | 76 ° |
| M | Tilt-in angle (Bucket) | 45 ° |
| O | Dump angle (Bucket) | 22 ° |
| P | Overhead loading height with standard bucket | 5,570 mm |
| Q | Dump height max. | 5,005 mm |
| R | Dump reach with standard bucket | 680 mm |

Please note: that product availability can vary from country to country. It is possible that information / products may not be available in your country. More detailed information on engine power can be found in the operator's manual; the stated power may vary due to specific operating conditions. Subject to alterations and errors excepted. Applicable also to illustrations.

Copyright © 2021 Wacker Neuson SE.